



AlumiL

AlumiL  **SMARTIA**
M7

Contents

**“To see beauty
is to see light”**

Victor Hugo

Upgrading the experience of transparent architecture

Smartia M7 is a value for money, complete curtain wall system with high energy efficiency, which offers wider range of options in terms of aesthetics and contemporary architecture.

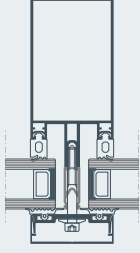
- / Available in various design like standard pressure plates, structural glazing and linear solutions.
- / Interior/exterior visible width: 50mm
- / Wide range of mullion and transom depths.
- / All kinds of opening types can be seamlessly integrated such as top hung window, parallel opening window, tilt and turn window, concealed vent window, entrance door.
- / Attention in specified solutions concerning heavy glass panes up to 700kg
- / Certified with the highest level of anti-burglar resistance (RC4)
- / High energy efficiency (U_t from 1 up to 2,3 W/m²K)

SMARTIA
M7

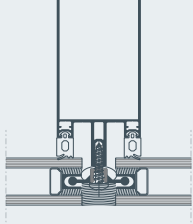
SYSTEM CAPABILITIES	04
TECHNICAL CHARACTERISTICS	06
VARIETY OF SOLUTIONS	08
POINTS OF EXCELLENCE	10
SECTIONS	12
APPLICATIONS/CONFIGURATIONS	19
HANDLES	20
TABLE OF PERFORMANCE	21
REFERENCE PROJECT	22

System capabilities

STANDARD
Glazing infill (4-54) mm



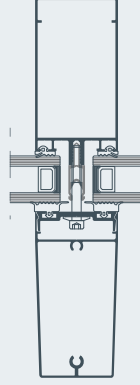
STRUCTURAL
Glazing infill (4-38) mm



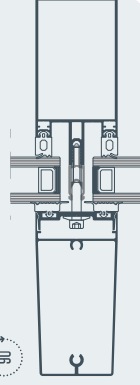
HORIZONTAL LINEAR
Glazing infill (4-38) mm



VERTICAL LINEAR
Glazing infill (4-38) mm



90°



Technical characteristics



- / 50mm visible width of mullions and transoms
- / High thermal insulation up to $U_i = 1 \text{ W/m}^2\text{K}$
- / Options of linear (horizontally or vertically) and structural constructions using the same mullions and transoms.
- / Wide range of mullions and transoms depths:
28-266 mm for mullions
16,5-266 mm for transoms
- / Glass thickness 4-54 mm
- / Special isolators and EPDM gaskets for maximum thermal and sound insulation
- / Incorporates ALUMIL M5600 solar shading system
- / Compatible with all Alumil opening systems: top hung window, parallel opening window, tilt and turn window, concealed vent window) as well as Alumil entrance doors.





Aesthetics

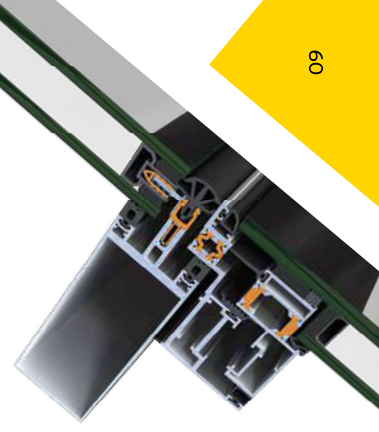
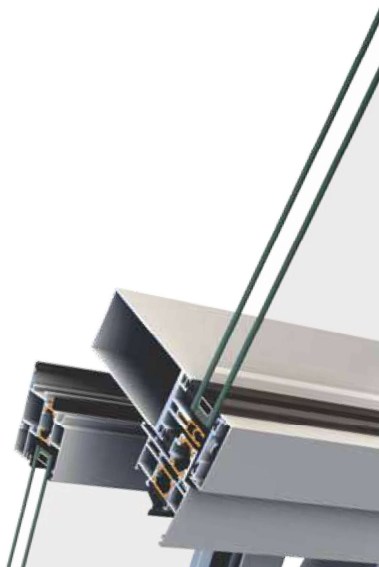
Smartia M7 is a curtain wall system that offers unlimited design freedom by using different types of external caps. The 4 different types of glazing variants (standard pressure plate, linear horizontal and vertical, structural) combined with variety of mullions (glass, insulating panels) can meet all contemporary architectural needs.

Typologies

Smartia M7 is fully adjustable with all types of openings such as top hung window, parallel opening, tilt and turn, concealed vent and all types of entrance doors.

Construction

Wide range of mullions able to meet with the most demanding building standards. Steel reinforcements can be integrated into mullions to achieve maximum static sufficiency.

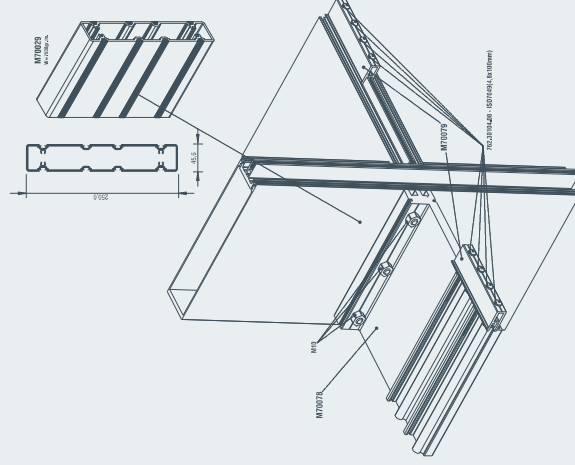


Points of excellence



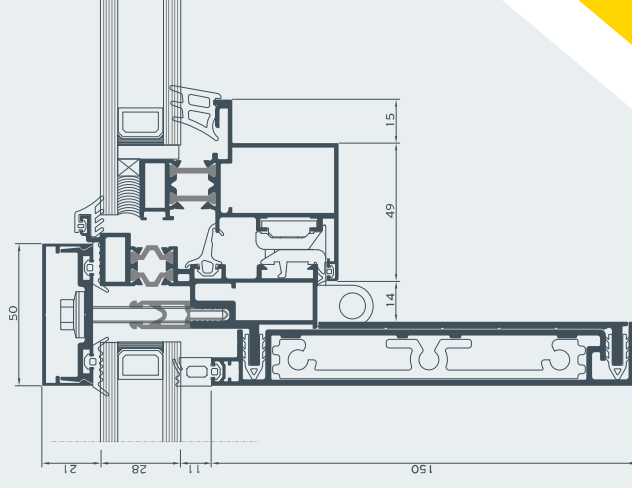
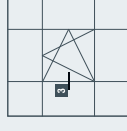
SMARTIA M7 is a curtain wall system that can offer innovative solutions in terms of big, heavy and high insulated glazing panes. M7 supports glazing panes up to 700 kg with the use of special profiles.

In this way, M7 offers the freedom to go beyond to normal matrix grid and minimize visible aluminum.



Smartia M7 is a curtain wall system that offers innovative solution in terms of concealed opening vents.

With the use of split mullions we can preserve the external appearance of facade by integrating frame profile into split mullions.

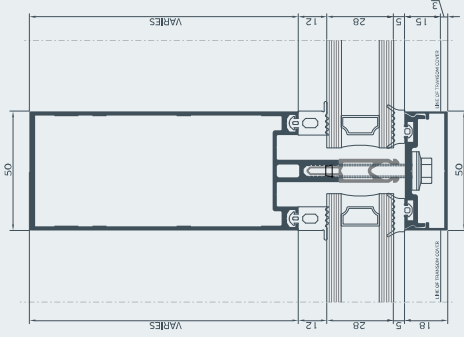


SMARTIA M7 is a fully certified system in terms of thermal insulation, acoustic performance, air/water tightness, and wind load resistance.

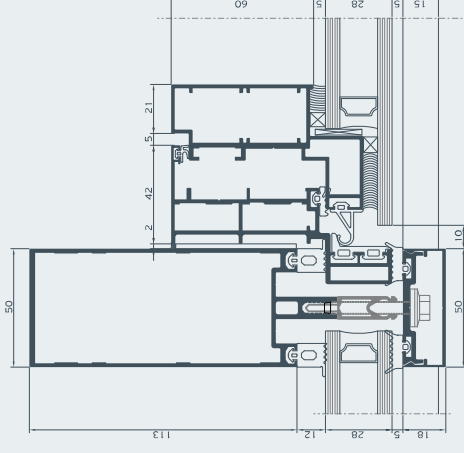
Furthermore, SMARTIA M7 is certified in RC4 concerning Burglar Resistance that makes it an ideal system for big scale projects with high standards of safety.



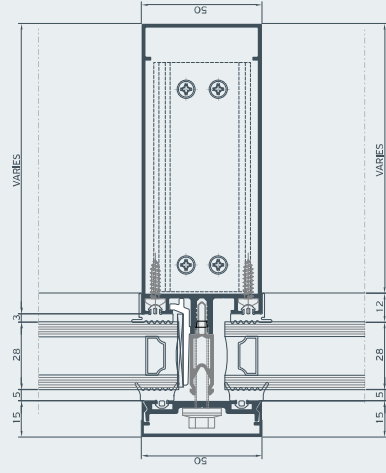
Standard mullion



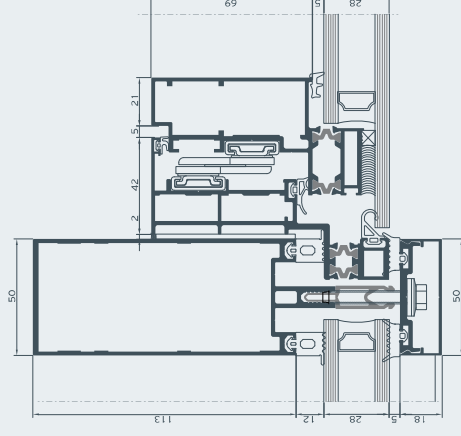
Standard projected window



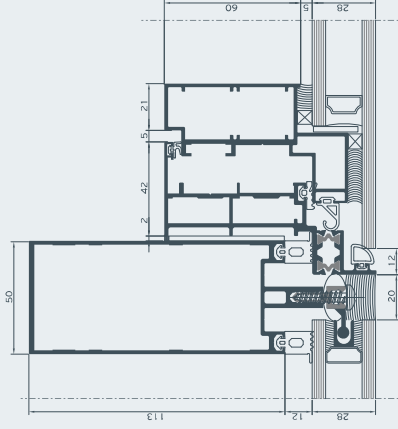
Standard transom



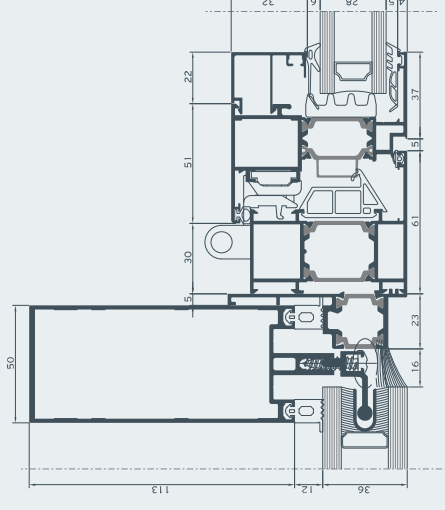
Standard projected parallel window



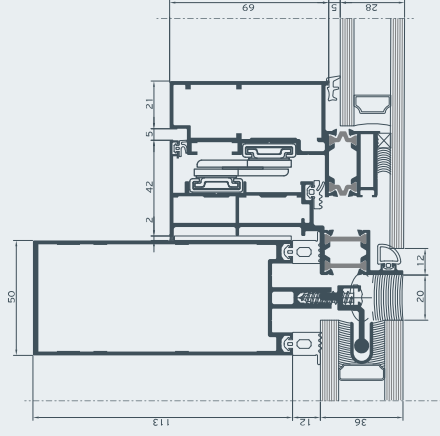
Structural projected window



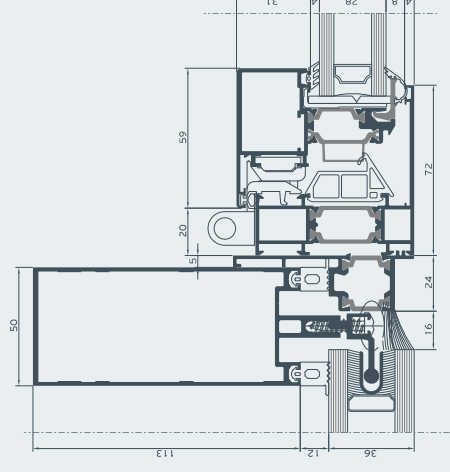
Structural tilt and turn window



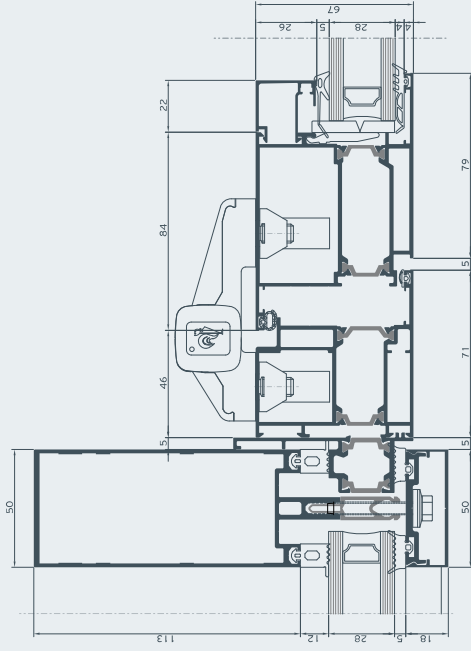
Structural projected parallel window



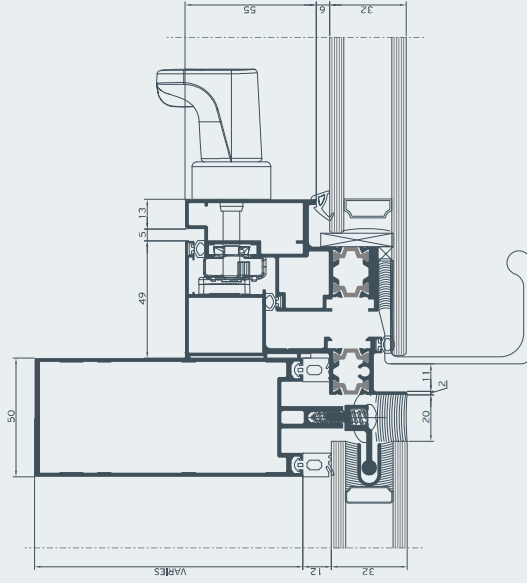
Structural concealed window



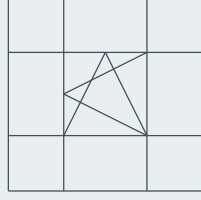
Standard entrance door



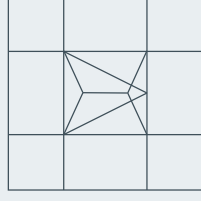
Structural entrance door



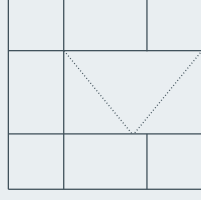
Applications



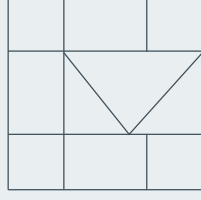
Hinged opening inward door



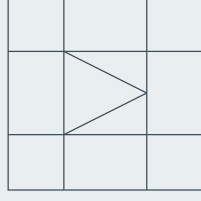
Parallel and projected outward window



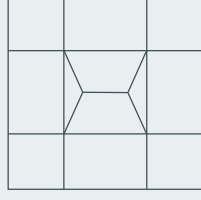
Hinged opening outward door



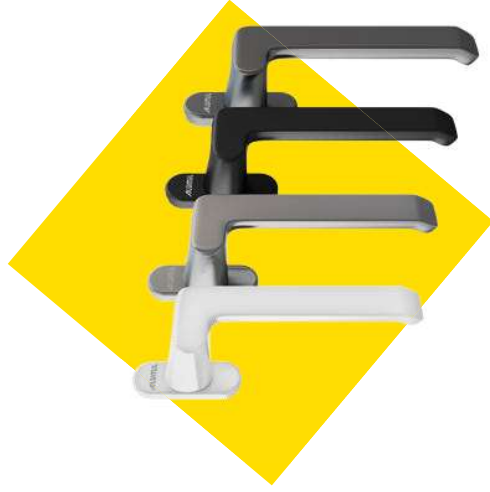
Projected outward window



Parallel projected outward window









Parallel projected outward window



ALUMIL branded handles are manufactured by world-class specialists to ensure top quality and flawless operation. Standard series made of aluminium are available in various standard colors.

Table of performance

CERTIFICATION

	Water tightness EN 12154 ASTM E 331
	Air permeability EN 12152 ASTM E 283
	Wind load resistance, max. test pressure EN 13116 ASTM E 330
	Water penetration (Dynamic pressure) AAMA 501.1
	Burglar Resistance EN 1627 -1630
	Thermal insulation EN12631

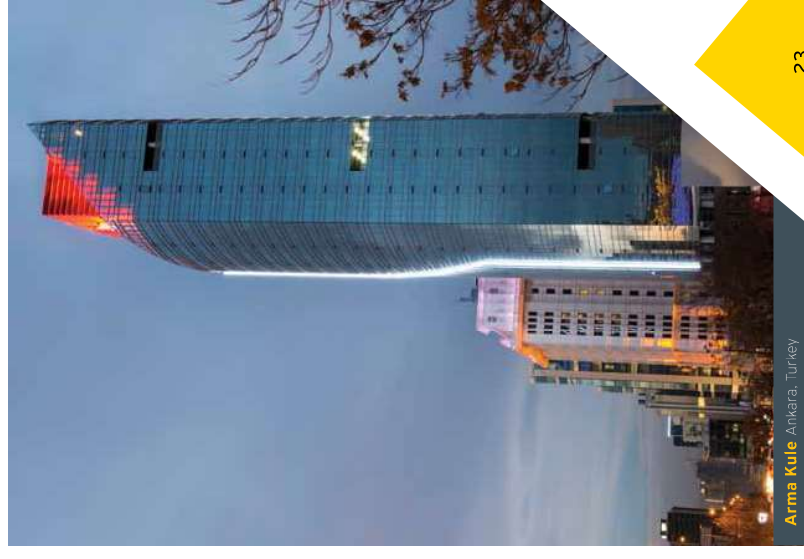
CLASSIFICATION

R4 (150 Pa)	R5 (300 Pa)	R6 (450 Pa)	R7 (600 Pa)	RE1200 (1200 Pa)
A1 (150 Pa)	A2 (300 Pa)	A3 (450 Pa)	A4 (600 Pa)	AE (>600 Pa)
<p>DESIGN LOAD ±2000 Pa ±2500 Pa</p> <p>SAFETY LOAD ±3000 Pa ±3750 Pa</p>				
<p>600 Pa 600 Pa</p>				
RC 2				
RC 3				
RC 4				

U_f down to 1 W/m²K depending on the profile combinations and glazing thickness



Reference Projects



ALUMIL MIDDLE EAST DMCC

Mazaya Business Avenue BB1
29th Floor, Office #2907
Jumeirah Lakes Towers, Dubai, UAE
Tel.: +971 4 4425930
Fax: +971 4 4416528
marketing.uae@alumil.com
www.alumil.ae

**ALUMIL
HEAD OFFICES
& SHOWROOM - THESSALONIKI**

Gogousi 8, Efkarpia
Thessaloniki - GR 56429
Tel.: +30 2313 011000
Fax: +30 2310 692473
E-mail: info@alumil.com



alumil

www.alumil.ae